

YOUR BEST POWER SOURCE SOLUTIONS

FEATURE

- High capacity ,Long life
- Sealing structure of PP materials
- High CCA and good starting performance
- maintenance-free design
- Low self-discharge
- C.O.S Application

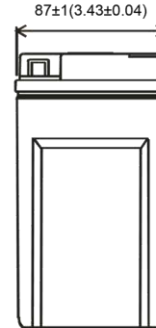
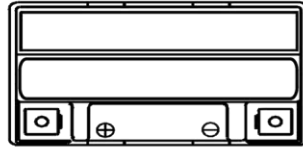
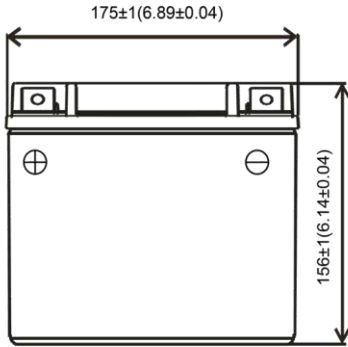
YTX20-BS

SPECIFICATION

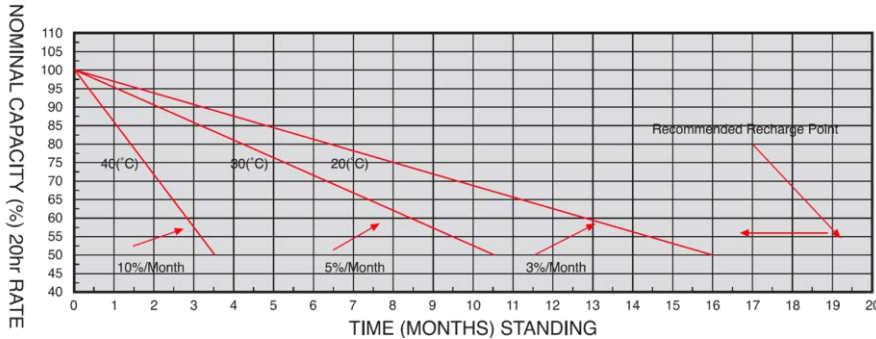
Cell per unit	6
Nominal Voltage (V)	12
Nominal Capacity (Ah)	18Ah @ 10hour rate F.V(1.75/cell)
Weight	Approx5.27kg(11.61Lbs.)
Polarity:	
Acid Volume:	1278 grams
Charge Current :	1.8 Amps
C.C.A.-18°C:	270



DIMENSIONS	Length	Width	Height
Unit: mm	175±1	87±1	156±1
Unit: inch	6.89±0.04	3.43±0.04	6.14±0.04

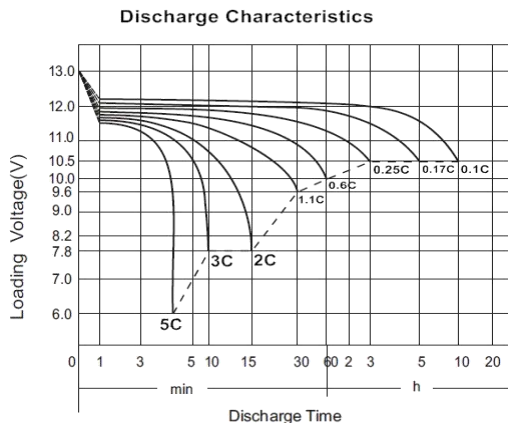


SELF DISCHARGE AND CAPACITY OF AGM BATTERIES



CAPACITY	VOLTAGE
100%	V > 13.0V
90%	12.80 < V < 13.00
80%	12.65 < V < 12.80
70%	12.50 < V < 12.65
60%	12.35 < V < 12.50
50%	12.20 < V < 12.35
40%	12.05 < V < 12.20
30%	11.90 < V < 12.05
20%	11.75 < V < 11.90
10%	11.60 < V < 11.75

DISCHARGE CHARACTERISTICS



CHARGING METHODS

CHARGING METHODS	
Full Charge	Constant-Voltage Charge: Initial charging current: less than 0.3C Voltage: 14.40 V ~ 15.00 V at 25°C (77 °F) Charging time: 15 ~18h
	Constant-Current Charge: Charging current: 0.1C, when charging voltage up to 14.40V, continue to charge 4h
Floating Charge	No limit on Initial charging current Voltage: 13.50 V ~ 13.80 V at 25°C (77 °F)

